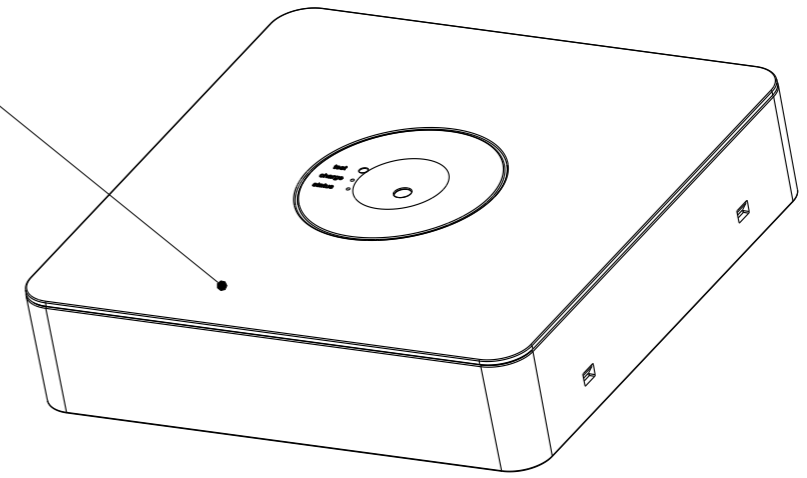


1 2 3 4 5 6 7 8

EV SURFACE MOUNT

THIS DRAWING AND SPECIFICATIONS HEREIN ARE THE PROPERTY OF EKTOR AND SHALL NOT BE REPRODUCED, COPIED, OR USED IN WHOLE OR PART AS THE BASIS FOR THE MANUFACTURE OR SALE OF ITEMS WITHOUT WRITTEN PERMISSION FROM WWW.EVOLT-EKTOR.COM.

1689-EV-LEDFIRE-III-SM WHITE
1990-EV-LEDFIRE-III-SM BLACK



A

A

B

B

C

C

D

D

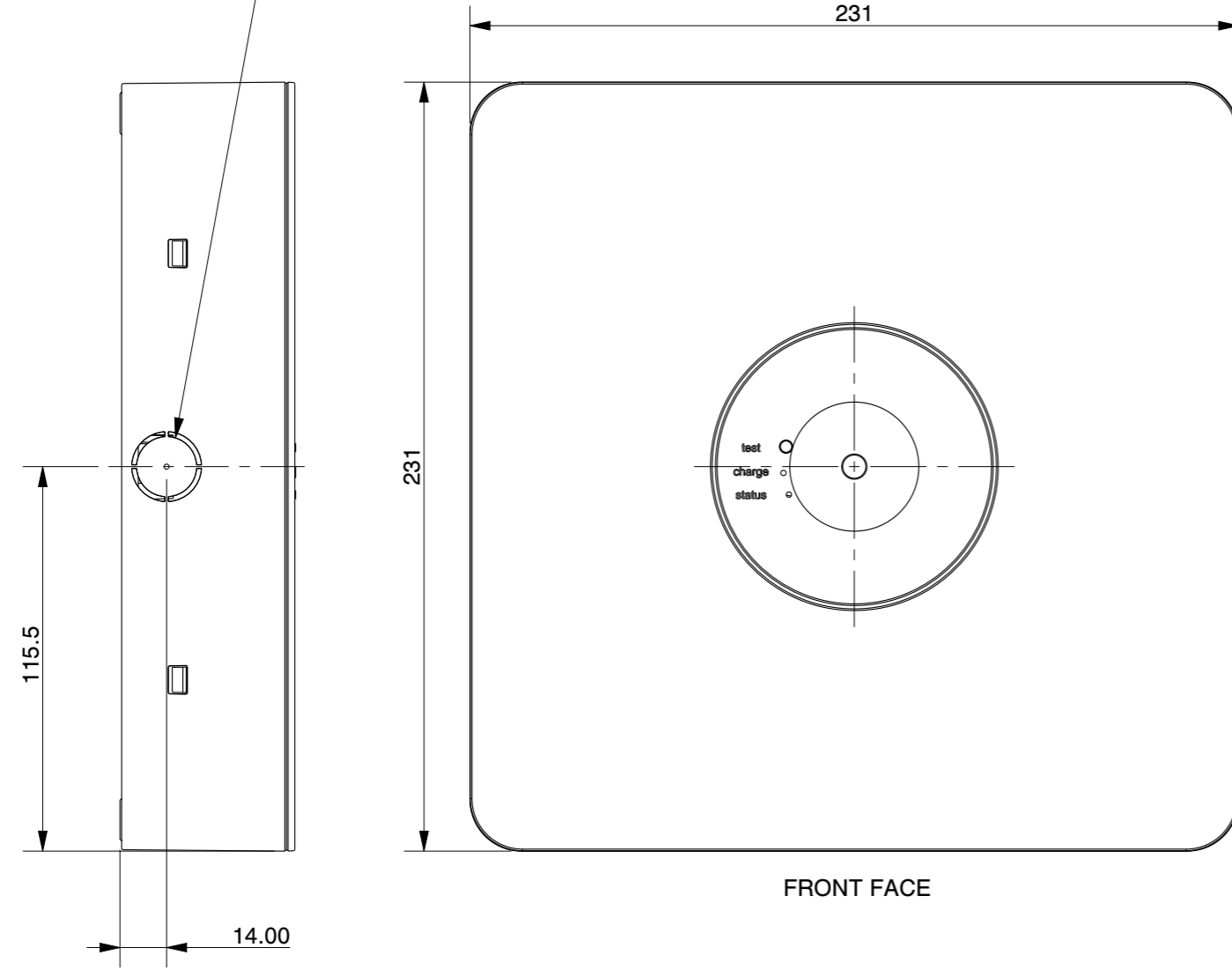
E

E

F

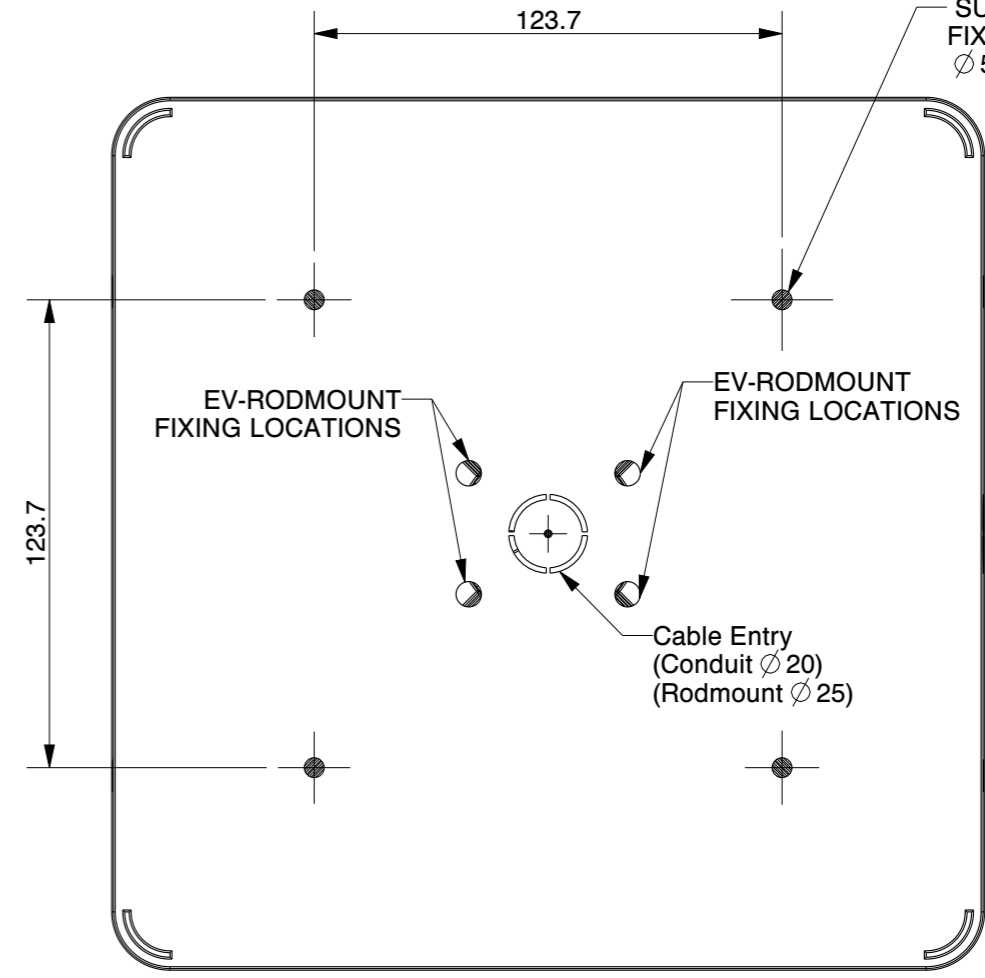
F

Cable Entry
(\varnothing 20 Conduit)



FRONT FACE

SURFACE MOUNT
FIXING LOCATIONS
 \varnothing 5.2



BACK FACE

23597	1.0	Released for publication	BRT	JN	21/04/2015
C/N No.	REV	DESCRIPTION	DWN	CKD	DATE



www.evolt-ektor.com

TOLERANCES & GENERAL INFORMATION (Unless otherwise stated)
ALL DIMENSIONS IN mm, ALL UNSPECIFIED TOLERANCES Refer to TOLERANCE TABLE, DO NOT SCALE, UNCONTROLLED IF PRINTED

DRAWING NOT TO SCALE

MATERIAL: N/A

COLOUR: 1689-EV-LEDFIRE-SM WHITE, 1990-EV-LEDFIRE-SM BLACK

Title	EV SURFACE MOUNT (WHITE / BLACK)
DRG No	1689 - 1690
© COPYRIGHT Evolt,2015	A3 SHEET 1 OF 1

1 2 3 4 5 6 7 8